



HST RANGE

© Intertraco (Italia) S.p.A.

HST range catalogue - **GSIHST190** - February 2019

The data reported in this catalogue are not binding.

Intertraco (Italia) S.p.A. reserves the right to change specifications without notice.

FOUR AND SIX WIRE SPIRAL THIN COVER HOSE



Construction

- 1 - Synthetic rubber tube;
- 2 - Four/six high tensile steel wire spirals;
- 3 - Synthetic rubber cover abrasion resistant type - flame resistant MSHA approved.

Application

High pressure hydraulic system for using; mineral oils, biological type oils, water-oil emulsions, water.

Temperature range

-40°C to +100°C (-40°F to +212°F);

HOSE TYPE	Ø HOSE			REINFORCEMENT DIAMETER		OUTSIDE DIAMETER		MAX WORKING PRESSURE		MIN BURST PRESSURE		BEND RADIUS		WEIGHT	
	DN	INCH	SIZE	[mm]	[in]	[mm]	[in]	[bar]	[psi]	[bar]	[psi]	[mm]	[in]	[kg/m]	[lb/ft]
HST-12*	19	3/4"	12	28,3	1,114	31,0	1,220	500	7250	2000	29000	240	9,45	1,62	1,09
HST-16*	25	1"	16	35,4	1,393	37,4	1,472	500	7250	2000	29000	330	12,99	2,15	1,44
HST-20**	31	1.1/4"	20	44,4	1,748	47,4	1,866	500	7250	2000	29000	350	13,78	3,68	2,47

* 4 wire spirals

** 6 wire spirals

COMPATIBILITY CHART BETWEEN THIS HOSE AND INTERTRACO APPROVED FITTINGS*

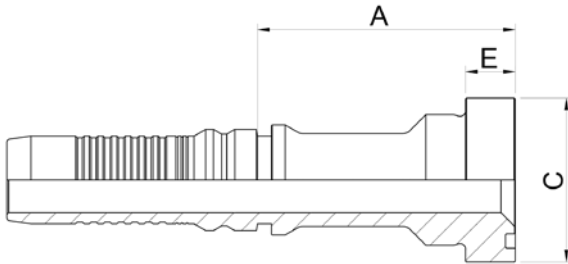
BRIDGESTONE HST	-04	-06	-08	-10	-12	-16	-20	-24	-32
Interlock 					Interlock: S insert + S004I ferrule		S insert + S006I ferrule		



INTERLOCK FITTINGS FOR 4 AND 6 SPIRAL HOSES
RACCORDI INTERLOCK PER TUBI A 4 E 6 SPIRALI
INTERLOCK-ARMATUREN FÜR 4 UND 6 SPIRALSCHLÄUCHE
RACORES INTERLOCK PARA MANGUERA 4 Y 6 ESPIRALES

8000 PSI HIGH PRESSURE FLANGE

AY1CS



STRAIGHT FLANGE
FLANGIA DIRITTA
SAE FLANSCH
BRIDA RECTA

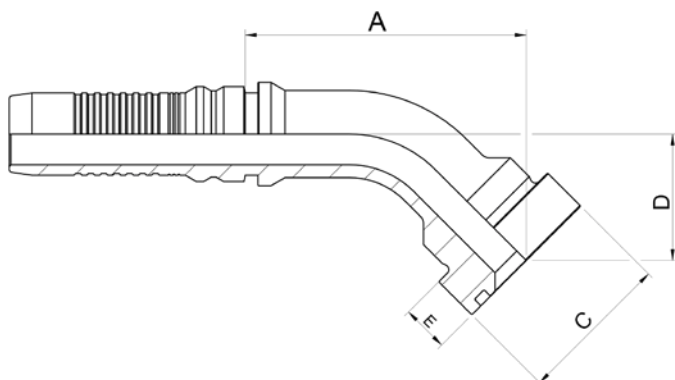
CODE CODICE BEST.-NR CODIGO	Ø HOSE Ø TUBO Ø SCHLAUCH Ø MANGUERA			FLANGE	A		C		E	
	DN	INCH	SIZE		[mm]	[in]	[mm]	[in]	[mm]	[in]
AY1CS-12-12	19	3/4"	12	3/4"	71,0	2,79	41,3	1,63	14,5	0,57
AY1CS-16-16	25	1"	16	1"	75,0	2,95	47,6	1,87	14,5	0,57
AY1CS-20-20	31	1.1/4"	20	1.1/4"	88,0	3,46	54,0	2,13	14,5	0,57



INTERLOCK FITTINGS FOR 4 AND 6 SPIRAL HOSES
RACCORDI INTERLOCK PER TUBI A 4 E 6 SPIRALI
INTERLOCK-ARMATUREN FÜR 4 UND 6 SPIRALSCHLÄUCHE
RACORES INTERLOCK PARA MANGUERA 4 Y 6 ESPIRALES

8000 PSI HIGH PRESSURE FLANGE

AY4CS



45° ELBOW FLANGE

FLANGIA 45°

SAE FLANSCH 45°

BRIDA A 45°

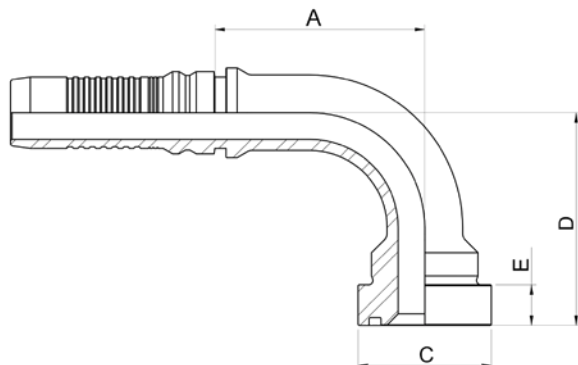
CODE CODICE BEST.-NR CODIGO	Ø HOSE Ø TUBO Ø SCHLAUCH Ø MANGUERA			FLANGE	A		C		D		E	
	DN	INCH	SIZE		[mm]	[in]	[mm]	[in]	[mm]	[in]	[mm]	[in]
AY4CS-12-12	19	3/4"	12	3/4"	69,0	2,72	41,3	1,63	32,5	1,28	14,5	0,57
AY4CS-16-16	25	1"	16	1"	87,0	3,42	47,6	1,87	37,0	1,46	14,5	0,57
AY4CS-20-20	31	1.1/4"	20	1.1/4"	114,0	4,49	54,0	2,13	46,5	1,83	14,5	0,57



INTERLOCK FITTINGS FOR 4 AND 6 SPIRAL HOSES
RACCORDI INTERLOCK PER TUBI A 4 E 6 SPIRALI
INTERLOCK-ARMATUREN FÜR 4 UND 6 SPIRALSCHLÄUCHE
RACORES INTERLOCK PARA MANGUERA 4 Y 6 ESPIRALES

8000 PSI HIGH PRESSURE FLANGE

AY9CS



90° ELBOW FLANGE

FLANGIA 90°

SAE FLANSCH 90°

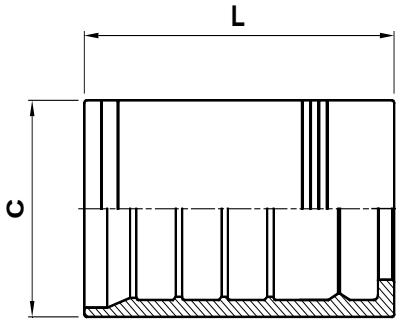
BRIDA A 90°

CODE CODICE BEST.-NR CODIGO	Ø HOSE Ø TUBO Ø SCHLAUCH Ø MANGUERA			FLANGE	A		C		D		E	
	DN	INCH	SIZE		[mm]	[in]	[mm]	[in]	[mm]	[in]	[mm]	[in]
AY9CS-12-12	19	3/4"	12	3/4"	56,0	2,20	41,3	1,63	70,0	2,75	14,5	0,57
AY9CS-12-16	19	3/4"	12	1"	56,0	2,20	47,6	1,87	70,0	2,75	14,5	0,57
AY9CS-16-16	25	1"	16	1"	75,0	2,95	47,6	1,87	76,0	2,99	14,5	0,57
AY9CS-16-20	25	1"	16	1.1/4"	75,0	2,95	54,0	2,13	90,0	3,54	14,5	0,57
AY9CS-20-20	31	1.1/4"	20	1.1/4"	97,0	3,82	54,0	2,13	90,0	3,54	14,5	0,57



INTERLOCK FITTINGS FOR 4 AND 6 SPIRAL HOSES
RACCORDI INTERLOCK PER TUBI A 4 E 6 SPIRALI
INTERLOCK-ARMATUREN FÜR 4 UND 6 SPIRALSCHLÄUCHE
RACORES INTERLOCK PARA MANGUERA 4 Y 6 ESPIRALES

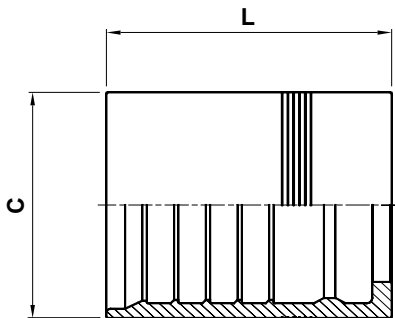
FERRULE S004I



INTERLOCK
BOCCOLA INTERLOCK
INTERLOCK FASSUNG
CASQUILLO INTERLOCK

CODE CODICE BEST.-NR CODIGO	Ø HOSE Ø TUBO Ø SCHLAUCH Ø MANGUERA			C		L	
	DN	INCH	SIZE	[mm]	[in]	[mm]	[in]
S004I-12	19	3/4"	12	38,0	1,50	60,0	2,36
S004I-16	25	1"	16	46,0	1,81	74,5	2,93

FERRULE S006I



INTERLOCK
BOCCOLA INTERLOCK
INTERLOCK FASSUNG
CASQUILLO INTERLOCK

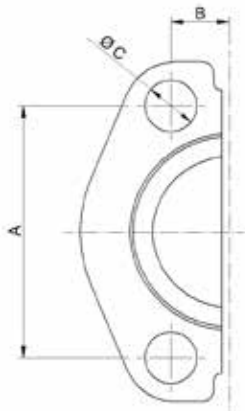
CODE CODICE BEST.-NR CODIGO	HOSE BORE ITALIANO TEDESCO SPAGNOLO			C		L	
	DN	INCH	SIZE	[mm]	[in]	[mm]	[in]
S006I-20	31	1.1/4"	20	60,0	2,36	88,0	3,46



INTERLOCK FITTINGS FOR 4 AND 6 SPIRAL HOSES
RACCORDI INTERLOCK PER TUBI A 4 E 6 SPIRALI
INTERLOCK-ARMATUREN FÜR 4 UND 6 SPIRALSCHLÄUCHE
RACORES INTERLOCK PARA MANGUERA 4 Y 6 ESPIRALES

8000 PSI SPLIT FLANGES

CHS000



SPLIT FLANGES 8000 PSI

SEMIFLANGE 8000 PSI

HALFBFLANSCH 8000 PSI

DEMI BRIDES 8000 PSI

CODE CODICE BEST.-NR CODIGO	FLANGE	B		A		C	
		[mm]	[in]	[mm]	[in]	[mm]	[in]
CHS000-12-12	3/4"	11,9	0,47	50,8	2,00	11,0	0,43
CHS000-16-16	1"	13,9	0,55	57,2	2,25	13,0	0,51
CHS000-20-20	1.1/4"	15,9	0,62	66,7	2,62	13,0	0,51